

SWP90W-105W SOLAR PHOTOVOLTAIC MODULE

High Efficiency Poly-crystalline Solar Module

BENEFITS

- High and stable conversion efficiency based on over 17 years professional experience.
- High reliability with guaranteed $\pm 3\%$ output power tolerance.
- Proven materials, tempered front glass, and a sturdy anodized aluminum frame allow modules to operate reliably in multiple mountly configuration.
- Combination of high efficiency and attractive appearance.

QUALITY AND SAFETY

- 25-year output power warranty.
- ISO9001:2000 (Quality Management System) certified factory.
- IEC61215, Safety tested IEC61730 CE.
- Product Quality Warranty & Product Liability Insurance guarantee end users' benefit.

EXAMPLES OF APPLICATION

- Grid-connected systems, for E.G.
 - Residential solar power systems.
 - Public and industrial solar power systems.
- Solar power stations.



Electrical Characteristics

Model No.	SWP105W-36/5	SWP100W-36/5	SWP95W-36/5	SWP90W-36/5
Maximum Power at STC (Pmax)	105	100	95	90
Optimum Operating Voltage (Vmp)	18.17 V	18.17 V	18.17 V	18.17 V
Open - Circuit Voltage (Voc)	21.6 V	21.6 V	21.6 V	21.6 V
Optimum Operating Current (Imp)	5.71A	5.53A	5.22A	4.95A
Short - Circuit Current (Isc)	6.26A	5.96A	5.45A	5.35A
Cell Efficiency	19.6%	18.6%	17.8 %	16.8 %
Operating Module Temperature	-40 °C to +85 °C			
Maximum System Voltage	1000 V DC (IEC) / 600 V DC (UL)			
Diodes	2 by pass			
Power Tolerance	-3/+3 %			

STC: irradiance 1000 W/m², module temperature 25 °C, AM=1.5; Power measurement tolerance: $\pm 3\%$

SM Solar

SWP90W-105W SOLAR PHOTOVOLTAIC MODULE

Mechanical Characteristics

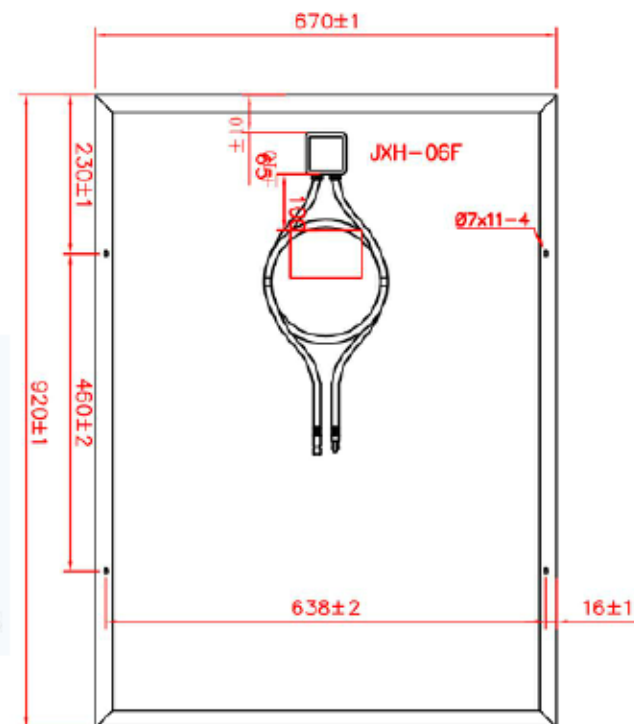
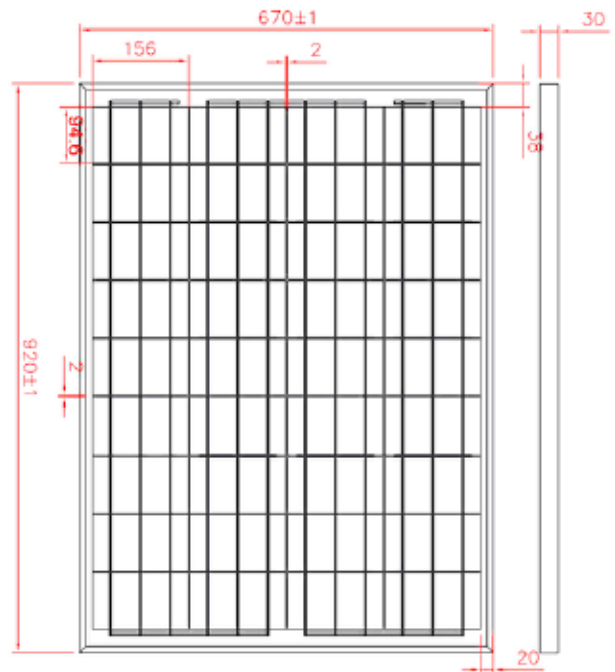
Solar Cell	Polycrystalline 156×156mm
No. of Cells	36 (4 × 9)
Dimensions	920 × 670 × 30 mm
Weight	7.8 Kgs (17.2 lbs.)
Front Glass	3.2 mm (0.13 inches) tempered glass
Frame	Anodized aluminum alloy
Junction Box	IP65 rated
Output Cables	TUV
	2.5 mm ² , symmetrical lengths cables (+/-) 900 mm
Connectors	MC4/IP 67 connectors

Temperature Characteristics

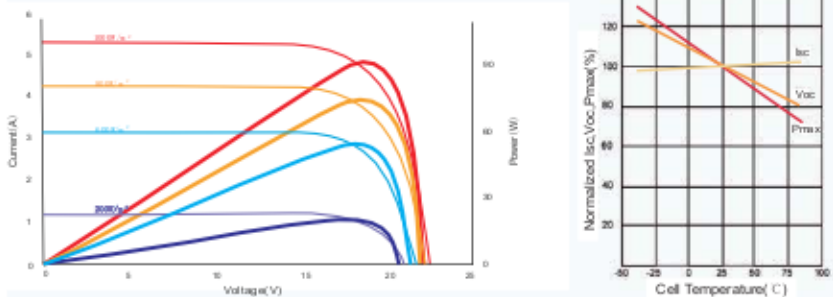
Nominal Operating Cell	45±2 °C
Temperature Coefficient of Pmax	-0.47%/°C
Temperature Coefficient of Voc	-0.34%/°C
Temperature Coefficient of Isc	0.045%/°C

Packing Configuration

Container	20'GP	40'GP	40'HQ
Pieces per pallet	25	25	28
Pallets per container	26	54	54
Pieces per container	650	1392	1512



I-V Curves



I-V Curves at different Irradiances (AM1.5 25°C)

Specifications included in this datasheet are subject to change without prior notice